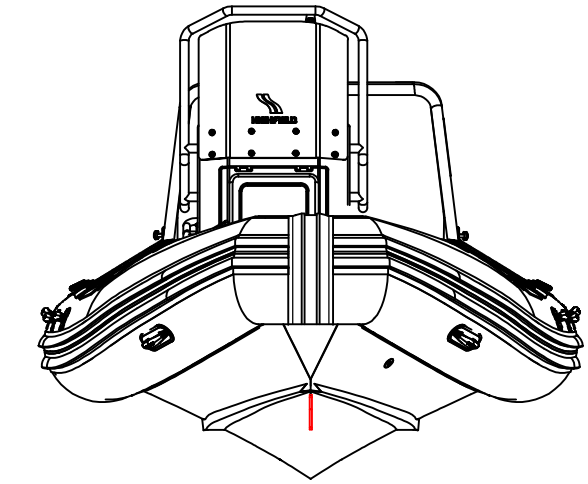
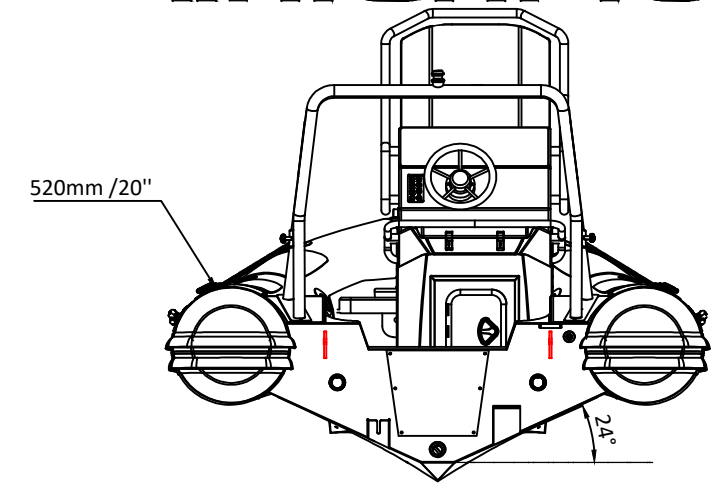
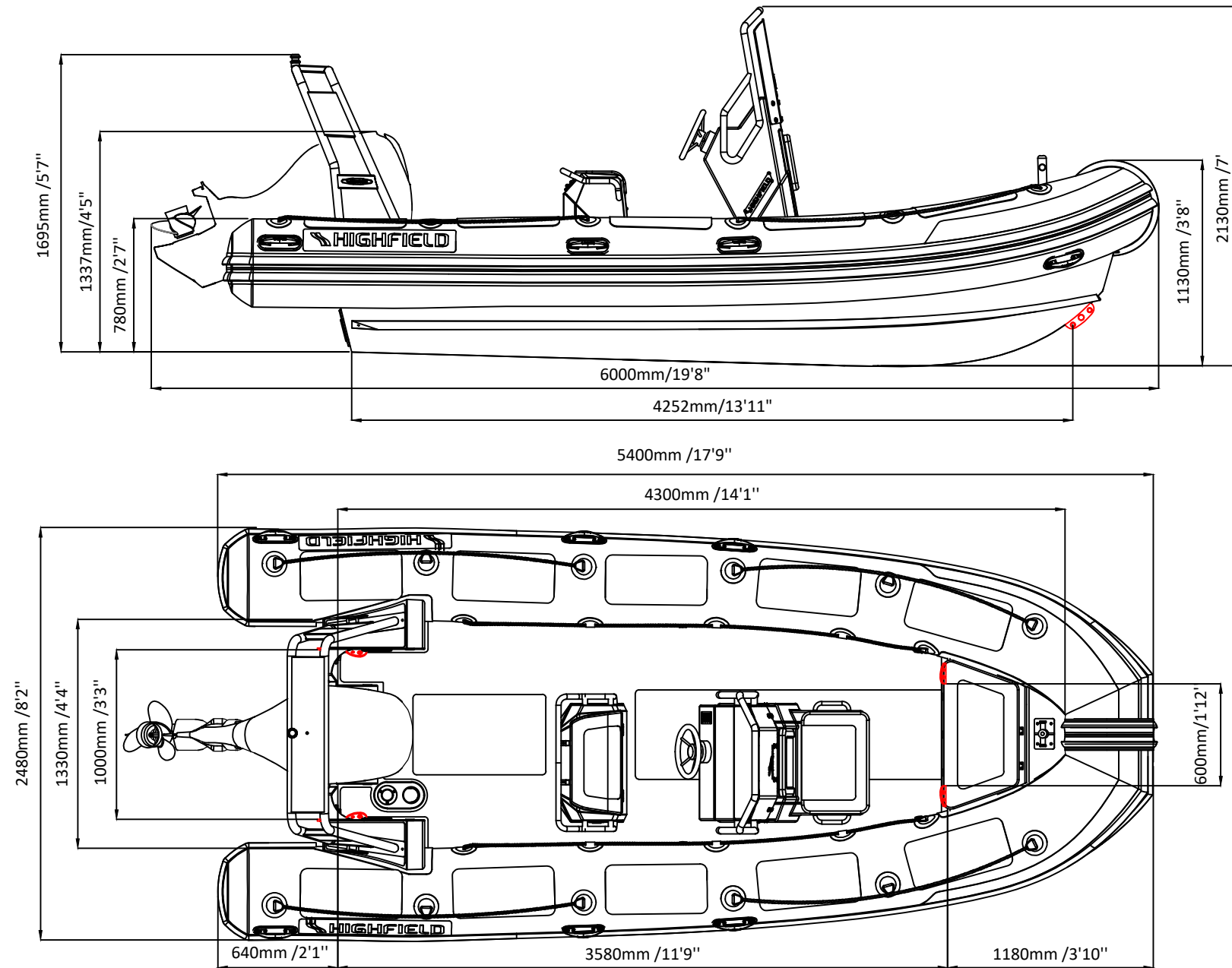


# PATROL 5400N

# SPECIFICATIONS



SPECIFICATIONS AND MAXIMUM CAPACITIES (Subject to change without notice. Tolerances: Dimensions ±2.5% Weight ±5%)

MODEL	ISO 6185 PART	ISO 6185	Person		#	Person		Shaft	Outboard Engine				Sundeck		Rollbar		Tow post		Fuel tank Capacity		Wet Weight (Approximate) 115HP (85.79KW) +Fuel		AIR CHAMBERS	Pressure			
			KG	LB		KG	LB		KW	HP	KG	LB	KG	LB	KG	LB	L	GAL	KG	LB	PSI	BAR					
PA5400N	3	C	1375	3031	12	900	1984	L	85.79	115	235	518	464	1022	/	/	15	32	/	/	105	27.7	775	1709	6	3.63	0.25

Boat weight includes: SUS700 console, BOL700 seat